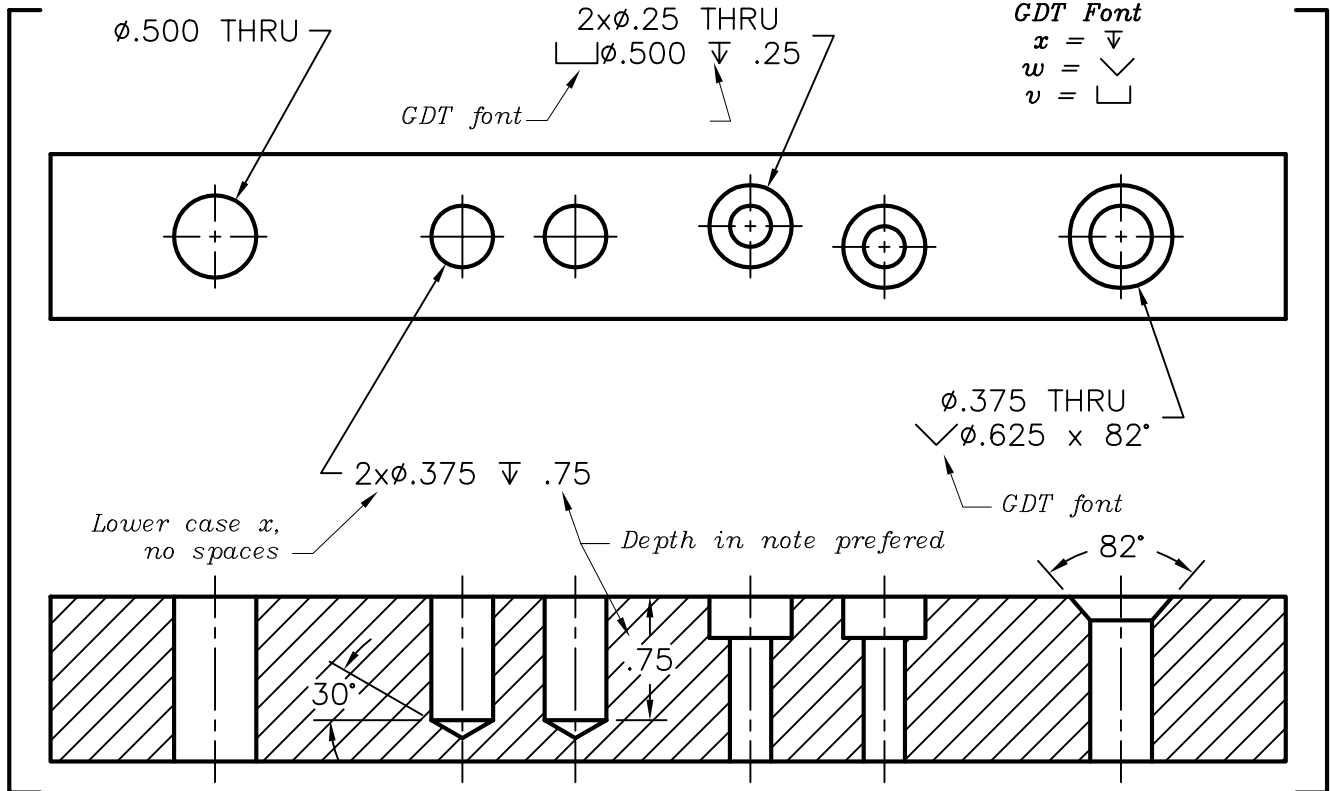


CAD Standards for KCC: Hole Notes



Note: Dimension leader always touches outer circle

